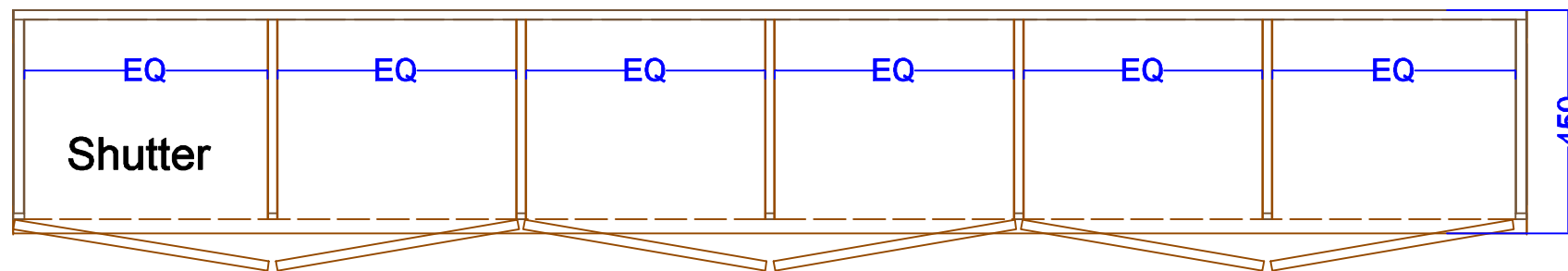
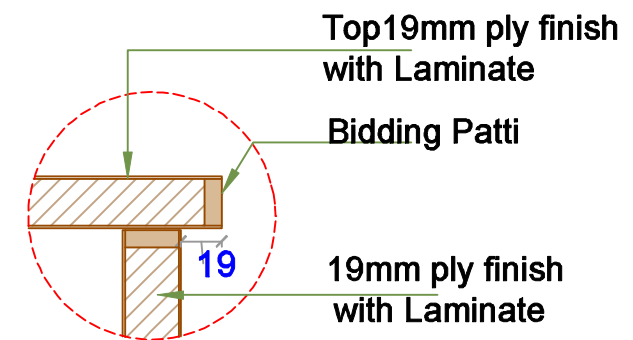


Elevation



Plan



Detail D1

PROJECT :- INTERIOR  
 CLIENT :- CANARA BANK , GIFT CITY  
 DATE : 01-05-2020

DRAWING:- STORAGE UP TO 1.20 MT HT. :-

DRG. NO. :- CANARA BANK/2020 /INTERIOR / 19

**SARJAN**  
 ARCHITECTS & PROJECT CONSULTANT  
 51, River Palace- A, Opp. Old Civil Court, Nanpura, Surat- 395001.  
 E-Mail: sarjanarch.pc@gmail.com Web: www.sarjanarchitects.com

Contact: +91-261-2476778/ 9879604444